

## AIR CLEANER & FILTERS LENNOX



### Features PCO : (Photocatalytic Oxidation system)

- Combines multiple purification technologies in a single system
- MERV 9 filter, UV light, and a PCO Insert
- Particles are captured on the filter. The UVA lights activate the catalyst in the PCO insert that captures and destroys chemicals as they flow through the system. By-products are CO<sup>2</sup> and water.
- Will remove volatile organic compounds (VOC's), pollen, molds, bacteria, and fungi.
- No ozone
- Available in cased or uncased models

### Warranty:

Residential: All Covered Parts: 5 Years  
Lamps, pleated filters and PCO inserts not covered

### Features PMAC : (Media Air Cleaner)

- Multi-position mechanical air cleaner
- MERV 10 filter
- Filter should be changed at least every 12 months
- Silent Operation.
- Will remove airborne particles to 1 micron.
- No ozone

### Warranty:

Residential: All Covered Parts: 5 Years  
Filters not covered



### Features UV : (Ultra-Violet Germicidal Light)

- Kills stationary contaminants
- UV light damages the DNA of micro-organisms such as virus, bacteria, yeast, and mold.
- UV03 models produce a small amount of ozone to help control odors
- Will remove volatile organic compounds (VOC's), pollen, molds, bacteria, and fungi.
- No ozone
- Available in cased or uncased models

### Warranty:

Residential: All Covered Parts: 5 Years  
Lamps not covered

### Features EAC : (Electronic Air Cleaner)

- Removes up to 94% of all particles passing through it as opposed to 10% for ordinary filters
- Multi-position
- Twin collecting cells
- Dual aluminum pre-filters stop large particles
- Will remove particles to 0.01 microns
- Tungsten wires carry high voltage DC that places a positive charge on all particles. 5" thick aluminum plates attract charged particles.

### Warranty:

Residential: All Covered Parts: 5 Years

Model	Description	Dimensions H x W x D	Duct Opening H x W	CFM Range	Electrical Char.	Wgt.
PC012C	Healthyclimate® Purair™ System	18 <sup>7</sup> / <sub>8</sub> x11 <sup>5</sup> / <sub>8</sub> x29	15 <sup>7</sup> / <sub>8</sub> x24 <sup>1</sup> / <sub>2</sub>	800-1400	120V	67
PC020C	Healthyclimate® Purair™ System	23 <sup>1</sup> / <sub>4</sub> x11 <sup>5</sup> / <sub>8</sub> x29	20x24 <sup>1</sup> / <sub>2</sub>	800-2000	120V	76
PC012U	Healthyclimate® Purair™ System	23 <sup>1</sup> / <sub>4</sub> x11 <sup>5</sup> / <sub>8</sub> x29	20x24 <sup>1</sup> / <sub>2</sub>	800-2000	120V	76
PC020U	Healthyclimate® Purair™ System	23 <sup>1</sup> / <sub>4</sub> x11 <sup>5</sup> / <sub>8</sub> x29	20x24 <sup>1</sup> / <sub>2</sub>	800-2000	120V	76
PMAC12C	Healthyclimate® Media Air Cleaner	17 <sup>3</sup> / <sub>4</sub> x10x28 <sup>3</sup> / <sub>4</sub>	15x23	up to 1200	-	25
PMAC20C	Healthyclimate® Media Air Cleaner	22x10x26	19 <sup>9</sup> / <sub>4</sub> x21 <sup>1</sup> / <sub>2</sub>	1400-2000	-	28
EAC14	Healthyclimate® Electronic Air Clnr	19 <sup>1</sup> / <sub>16</sub> x6 <sup>7</sup> / <sub>8</sub> x29 <sup>11</sup> / <sub>16</sub>	23 <sup>5</sup> / <sub>8</sub> x13 <sup>3</sup> / <sub>16</sub>	800-1600	120V	45
EAC16	Healthyclimate® Electronic Air Clnr	23 <sup>3</sup> / <sub>8</sub> x6 <sup>7</sup> / <sub>8</sub> x25 <sup>1</sup> / <sub>2</sub>	18 <sup>5</sup> / <sub>8</sub> x17 <sup>3</sup> / <sub>4</sub>	1200-1800	120V	44
EAC20	Healthyclimate® Electronic Air Clnr	23 <sup>3</sup> / <sub>8</sub> x6 <sup>7</sup> / <sub>8</sub> x29 <sup>11</sup> / <sub>16</sub>	23 <sup>3</sup> / <sub>8</sub> x17 <sup>3</sup> / <sub>4</sub>	1400-2200	120V	54
UC-500	Healthyclimate® UV Light	7x17x15 <sup>1</sup> / <sub>2</sub>	-	800-2000	120V	8
UC-523	Healthyclimate® UV Light	7x17x15 <sup>1</sup> / <sub>2</sub>	-	800-2000	240V	8
UC-1000	Healthyclimate® UV Light	7x17x15 <sup>1</sup> / <sub>2</sub>	-	800-2000	120V	9
UC-1023	Healthyclimate® UV Light	7x17x15 <sup>1</sup> / <sub>2</sub>	-	800-2000	240V	8
UC-2000	Healthyclimate® UV w/ Odor Control	7x17x15 <sup>1</sup> / <sub>2</sub>	-	800-2000	120V	9
UC-2023	Healthyclimate® UV w/ Odor Control	7x17x15 <sup>1</sup> / <sub>2</sub>	-	800-2000	240V	9

Replace Part #	Used With	Description
75X74	PC012	MERV9 Replacement Filter
75X67	PC020	MERV9 Replacement Filter
10M35	PCO All	Replacement UV Lamp (qty 1; requires 4)
75X73	PC012	PCO Metal Insert
75X66	PC020	PCO Metal Insert
X0444	PMAC-12	Replacement Filter
X0445	PMAC-20	Replacement Filter
69H98	EAC14	Charcoal Filter
X1194	EAC16	Charcoal Filter
72H09	EAC20	Charcoal Filter
64X36	UV-500, 523	Replacement Lamp
64X56	UV-1000, 1023	Replacement Lamp
64X56&64X57	UV-2000, 2023	Replacement Lamp (1 each required)



**HEPA BYPASS AIR FILTRATION SYSTEMS LENNOX**

**FEATURES**

- 99.7% Efficient In Removing Particles
- Optional Carbon Canister
- Fast Effective Cleaning
- Sealed, Bypass design
- Low Operating Costs

Model	Description	Dimensions H x W x D	Sound	Power	Wgt.
HEPA 20	Single Room	17 <sup>7</sup> / <sub>8</sub> x14x14	60dB	125 Watts	30
HEPA 40	Whole House 1500 -2500 Sq. Ft.	17 <sup>7</sup> / <sub>8</sub> x14x14	58dB	125 Watts	44
HEPA 60	Whole House Up To 3500 Sq. Ft.	28x16 <sup>1</sup> / <sub>8</sub> x16 <sup>1</sup> / <sub>8</sub>	64dB	225 Watts	49



## SPLIT SYSTEM - CASED HEAT PUMP/COOLING COILS LENNOX

### Up-Flow Cased Coils

Model	Cap. MBtuH	Ref. Control	Ref. Conn. Liq.-Gas	Size HxWxD	Wgt
C33-18A-2F	18	0.055	3/8-3/4	16 1/2x14 1/2x21	27
C33-24A-2F	24	0.062	3/8-3/4	16 1/2x14 1/2x21	31
C33-24B-2F	24	0.062	3/8-3/4	16 1/2x17 1/2x21	31
C33-30A-2F	30	0.068	3/8-3/4	20 1/2x14 1/2x21	37
C33-30B-2F	30	0.068	3/8-3/4	20 1/2x17 1/2x21	40
C33-36A-2F	36	0.073	3/8-3/4	24 1/2x14 1/2x21	45
C33-36B-2F	36	0.073	3/8-3/4	24 1/2x17 1/2x21	46
C33-36C-2F	36	0.073	3/8-3/4	24 1/2x21x21	50
C33-38A-2F	38	0.073	3/8-3/4	24 1/2x14 1/2x21	49
C33-38B-2F	38	0.073	3/8-3/4	17 1/2x24 1/2x21	51
C33-42B-F	42	0.080	3/8-7/8	24 1/2x17 1/2x21	47
C33-44C-F	44	0.080	3/8-7/8	24 1/2x21x21	55
C33-48B-F	48	0.084	3/8-7/8	24 1/2x17 1/2x21	52
C33-48C-F	48	0.084	3/8-7/8	24 1/2x21x21	55
C33-50/60C-F	50	0.085	3/8-7/8	31 1/2x21x21	66
C33-60D-F	60	0.092	3/8-7/8	26 1/2x24 1/2x21	66
C33-62D-F	62	0.092	3/8-7/8	31 1/2x24 1/2x21	76

### Horizontal Cased Coils

Model	Cap. MBtuH	Ref. Control	Ref. Conn. Liq.-Gas	Size HxWxD	Wgt
CH33-18A-F	18	0.055	3/8-3/4	14 1/2x21 1/2x21 1/2	20
CH33-24/30A-F	24	0.062	3/8-3/4	14 1/2x26 1/2x21 1/2	42
CH33-36A-F	36	0.073	3/8-3/4	14 1/2x26 1/2x21 1/2	54
CH33-36B-F	36	0.073	3/8-3/4	17 1/2x26 1/2x21 1/2	44
CH33-36C-F	36	0.073	3/8-3/4	21x26 1/2x21 1/2	48
CH33-42B-F	42	0.080	3/8-7/8	17 1/2x26 1/2x21 1/2	60
CH33-44/48B-F	44	0.080	3/8-7/8	17 1/2x31 1/2x21 1/2	72
CH33-48C-F	48	0.084	3/8-7/8	21x26 1/2x21 1/2	76
CH33-50/60C-F	50	0.084	3/8-7/8	21x31 1/2x21 1/2	86
CH33-60D-F	60	0.092	3/8-7/8	24 1/2x26 1/2x21 1/2	97
CH33-62D-F	62	0.092	3/8-7/8	24 1/2x31 1/2x21 1/2	97

### AC Upflow Cased Coils

Model	Cap. MBtuH	Ref. Control	Ref. Conn. Liq.-Gas	Size HxWxD	Wgt
CR26-18N-F	18	TXV or Orifice	3/8-5/8	26 1/8x21 1/2x21 1/2	41
CR26-30N-F	30	TXV or Orifice	3/8-3/4	26 1/8x26 1/2x21 1/2	46
CR26-36N-F	36	TXV or Orifice	3/8-3/4	26 1/8x26 1/2x21 1/2	59
CR26-36W-F	36	TXV or Orifice	3/8-3/4	26 1/8x26 1/2x21 1/2	60
CR26-48N-F	48	TXV or Orifice	3/8-7/8	26 1/8x26 1/2x21 1/2	75
CR26-48W-F	48	TXV or Orifice	3/8-7/8	26 1/8x26 1/2x21 1/2	76
CR26-60N-F	60	TXV or Orifice	3/8-1 1/8	26 1/8x31 1/2x21 1/2	88
CR26-60W-F	60	TXV or Orifice	3/8-1 1/8	26 1/8x26 1/2x21 1/2	101

### Coils for Mfg. Housing

Model	Cap. MBtuH	Ref. Control	Ref. Conn. Liq.-Gas*	Size HxWxD	Wgt
96-842x-OP	24-30	TXV or Orifice	3/8-3/4	14x18x19 5/8	27
96-862x-OP	30-36	TXV or Orifice	3/8-3/4	14x18x19 5/8	28
96-864x-OP	42	TXV or Orifice	3/8-7/8	18x18x19 5/8	32
96-894x-OP	48	TXV or Orifice	3/8-7/8	18x18x19 5/8	37
96-895x-OP	60	TXV or Orifice	3/8-7/8	20x18x19 5/8	45

\*Optional

### Up-Flow Uncased Coils

Model	Cap. MBtuH	Ref. Control	Ref. Conn. Liq.-Gas	Size HxWxD	Wgt
C33-18A-2	18	0.055	3/8-3/4	10 3/4x13x19 1/2	14
C33-24A-2	24	0.062	3/8-3/4	14 3/4x13x19 1/2	18
C33-24B-2	24	0.062	3/8-3/4	14 3/4x15 1/2x19 1/2	20
C33-30A-2	30	0.068	3/8-3/4	18 3/4x13x19 1/2	22
C33-30B-2	30	0.068	3/8-3/4	18 3/4x15 1/2x19 1/2	23
C33-36A-2	36	0.073	3/8-3/4	22 3/4x13x19 1/2	26
C33-36B-2	36	0.073	3/8-3/4	22 3/4x15 1/2x19 1/2	27
C33-36C-2	36	0.073	3/8-3/4	22 3/4x20x19 1/2	29
C33-38A-2	38	0.073	3/8-3/4	22 3/4x13x19 1/2	31
C33-38B-2	38	0.073	3/8-3/4	22 3/4x15 1/2x19 1/2	33
C33-42B-2	42	0.080	3/8-7/8	22 3/4x15 1/2x19 1/2	27
C33-44C-2	44	0.080	3/8-7/8	22 3/4x20x19 1/2	34
C33-48B-2	48	0.084	3/8-7/8	22 3/4x15 1/2x19 1/2	33
C33-48C-2	48	0.084	3/8-7/8	22 3/4x20x19 1/2	35
C33-50/60C-2	50	0.084	3/8-7/8	26 3/4x20x19 1/2	40
C33-60D-2	60	0.092	3/8-7/8	24 3/4x23x19 1/2	42
C33-62D-2	62	0.092	3/8-7/8	24 3/4x23x19 1/2	48



**Cased Coils**



**Uncased Coils**

## ELITE 10™ PACKAGED COOLING LENNOX



**Features:**

- Horizontal or Downflow Air
- Complete Service Access
- Insulated Cabinet
- Direct Drive Blower
- Solid-State Blower Control
- Direct Drive Condenser Fan
- Copper tube/Enhanced Fin Coil
- Coil Guard
- Efficient Compressor
- Two Pole Compressor
- Pre-Charged Refrigeration System
- Service Gauge Ports
- Scroll Compressor
- Compressor Cover

**Warranty:**

- Compressor 5 Years
- All Other Parts 5 Years

Model	SEER	Cap. Cooling	Sound dB	Dim. HxWxL	DownFlow Supply & Return	Horizontal Supply&Return	MCA/Max. Fuse	CFM @ .50 Lo - Hi	R-22 Lbs	Wgt.
10CHA024	10.0	23.4	76	27 <sup>11/16</sup> X45 <sup>5/8</sup> X45 <sup>5/8</sup>	11 <sup>1/2</sup> X17 <sup>1/2</sup>	11 <sup>1/2</sup> X17 <sup>1/2</sup>	16.6-25	900-1140	3.25	275
10CHA030	10.0	29.0	76	27 <sup>11/16</sup> X45 <sup>5/8</sup> X45 <sup>5/8</sup>	11 <sup>1/2</sup> X17 <sup>1/2</sup>	11 <sup>1/2</sup> X17 <sup>1/2</sup>	20.9-30	970-1220	3.19	295
10CHA036	10.0	35.0	80	27 <sup>11/16</sup> X45 <sup>5/8</sup> X45 <sup>5/8</sup>	11 <sup>1/2</sup> X17 <sup>1/2</sup>	11 <sup>1/2</sup> X17 <sup>1/2</sup>	24.9-30	970-1220	3.63	315
10CHA042	10.0	41.0	80	31 <sup>11/16</sup> X45 <sup>5/8</sup> X45 <sup>5/8</sup>	11 <sup>1/2</sup> X17 <sup>1/2</sup>	11 <sup>1/2</sup> X17 <sup>1/2</sup>	26.7-35	1270-1380	4.56	345
10CHA048	10.0	47.0	80	33 <sup>11/16</sup> X54 <sup>11/16</sup> X49 <sup>5/8</sup>	12x21 <sup>1/2</sup>	12x21 <sup>1/2</sup> <sup>1</sup>	34.1-40	1750-2110	5.81	435
10CHA060	10.0	58.0	80	33 <sup>11/16</sup> X54 <sup>11/16</sup> X49 <sup>5/8</sup>	12x21 <sup>1/2</sup>	12x21 <sup>1/2</sup> <sup>1</sup>	38.1-45	1750-2110	6.87	455

<sup>1</sup>048 & 060 units have 2 horizontal return air openings this size;All units 208-230v 1 phase

**ELITE® PACKAGED GAS ELECTRIC LENNOX**

**Features:**

- Insulated Cabinet
- Aluminized Steel Heat Exchanger
- Direct Spark Ignition
- Combustion Air Inducer
- Inshot Burners
- Fan and Limit Controls
- Direct Drive Blower
- Direct Drive Condenser Fan
- Intergrated Heating Control w/ Diagnostics
- Copeland Scroll Compressor
- Economizer Wiring Harness
- Air Filters Optional

**Warranty: Residential**

- Heat Exchanger 15 Years
- Compressor 10 Years
- Parts 5 Years

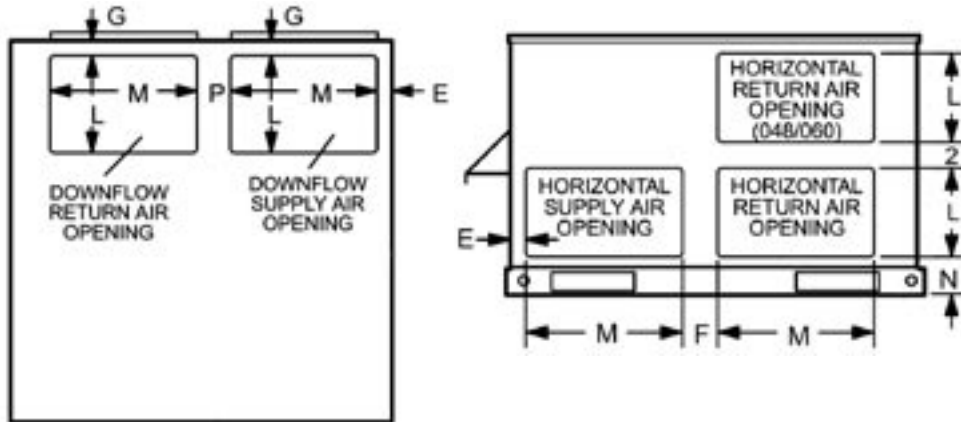
**Commercial Warranty**

- 1 Year All Components

Model	SEER	Cap. Cooling	AFUE	Htg MBtuH Input/Output	Sound dB	Dim. HxWxL	MCA Max Fuse	CFM @.50 Lo - Hi	R-22 Lbs	Wgt
10GCS024-50	10.0	23.4	80.0	50.0-40.0	76	27 <sup>11</sup> / <sub>16</sub> X45 <sup>5</sup> / <sub>8</sub> X45 <sup>5</sup> / <sub>8</sub>	16.6-25	900-1140	3.25	295
10GCS024-75	10.0	23.4	80.0	75.0-60.0	76	27 <sup>11</sup> / <sub>16</sub> X45 <sup>5</sup> / <sub>8</sub> X45 <sup>5</sup> / <sub>8</sub>	16.6-25	900-1140	3.25	305
10GCS030-50	10.0	29.0	80.0	50.0-40.0	76	27 <sup>11</sup> / <sub>16</sub> X45 <sup>5</sup> / <sub>8</sub> X45 <sup>5</sup> / <sub>8</sub>	20.8-30	970-1220	3.19	310
10GCS030-75	10.0	29.0	80.0	75.0-60.0	76	27 <sup>11</sup> / <sub>16</sub> X45 <sup>5</sup> / <sub>8</sub> X45 <sup>5</sup> / <sub>8</sub>	20.8-30	970-1220	3.19	315
10GCS036-50	10.0	35.0	80.0	50.0-40.0	80	27 <sup>11</sup> / <sub>16</sub> X45 <sup>5</sup> / <sub>8</sub> X45 <sup>5</sup> / <sub>8</sub>	24.9-30	970-1220	3.63	365
10GCS036-75	10.0	35.0	80.0	75.0-60.0	80	27 <sup>11</sup> / <sub>16</sub> X45 <sup>5</sup> / <sub>8</sub> X45 <sup>5</sup> / <sub>8</sub>	24.9-30	970-1220	3.63	335
10GCS036-100	10.0	35.0	80.0	100.0-80.0	80	27 <sup>11</sup> / <sub>16</sub> X45 <sup>5</sup> / <sub>8</sub> X45 <sup>5</sup> / <sub>8</sub>	24.9-30	970-1220	3.63	345
10GCS042-75	10.0	41.0	80.0	75.0-60.0	80	31 <sup>11</sup> / <sub>16</sub> X45 <sup>5</sup> / <sub>8</sub> X45 <sup>5</sup> / <sub>8</sub>	26.7-35	1270-1380	4.56	365
10GCS042-100	10.0	41.0	80.0	100.0-80.0	80	31 <sup>11</sup> / <sub>16</sub> X45 <sup>5</sup> / <sub>8</sub> X45 <sup>5</sup> / <sub>8</sub>	26.7-35	1270-1380	4.56	375
10GCS048-100	10.0	47.0	80.0	100.0-80.0	80	33 <sup>11</sup> / <sub>16</sub> X54 <sup>11</sup> / <sub>16</sub> X45 <sup>5</sup> / <sub>8</sub>	34.1-40	1360-1610	5.81	425
10GCS048-125	10.0	47.0	80.0	125.0-100.0	80	33 <sup>11</sup> / <sub>16</sub> X54 <sup>11</sup> / <sub>16</sub> X45 <sup>5</sup> / <sub>8</sub>	34.1-40	1360-1610	5.81	445
10GCS048-150	10.0	47.0	80.0	150.0-120.0	80	33 <sup>11</sup> / <sub>16</sub> X54 <sup>11</sup> / <sub>16</sub> X45 <sup>5</sup> / <sub>8</sub>	34.1-40	1360-1610	5.81	455
10GCS060-100	10.0	58.0	80.0	100.0-80.0	80	33 <sup>11</sup> / <sub>16</sub> X54 <sup>11</sup> / <sub>16</sub> X49 <sup>5</sup> / <sub>8</sub>	38.1-45	1360-1610	6.87	465
10GCS060-125	10.0	58.0	80.0	125.0-100.0	80	33 <sup>11</sup> / <sub>16</sub> X54 <sup>11</sup> / <sub>16</sub> X49 <sup>5</sup> / <sub>8</sub>	38.1-45	1360-1610	6.87	465
10GCS060-150	10.0	58.0	80.0	150.0-120.0	80	33 <sup>11</sup> / <sub>16</sub> X54 <sup>11</sup> / <sub>16</sub> X49 <sup>5</sup> / <sub>8</sub>	38.1-45	1360-1610	6.87	465
12GCS024-50	12.0	23.0	80.0	50.0-40.0	78	27 <sup>11</sup> / <sub>16</sub> X45 <sup>5</sup> / <sub>8</sub> X45 <sup>5</sup> / <sub>8</sub>	17.3-30	900-1140	4.50	295
12GCS024-75	12.0	23.0	80.0	75.0-60.0	78	27 <sup>11</sup> / <sub>16</sub> X45 <sup>5</sup> / <sub>8</sub> X45 <sup>5</sup> / <sub>8</sub>	17.3-30	900-1140	4.50	305
12GCS030-50	12.0	29.0	80.0	50.0-40.0	78	27 <sup>11</sup> / <sub>16</sub> X45 <sup>5</sup> / <sub>8</sub> X45 <sup>5</sup> / <sub>8</sub>	21.6-30	970-1220	5.31	310
12GCS030-75	12.0	29.0	80.0	75.0-60.0	78	27 <sup>11</sup> / <sub>16</sub> X45 <sup>5</sup> / <sub>8</sub> X45 <sup>5</sup> / <sub>8</sub>	21.6-30	970-1220	5.31	315
12GCS036-50	12.0	35.6	80.0	50.0-40.0	80	27 <sup>11</sup> / <sub>16</sub> X45 <sup>5</sup> / <sub>8</sub> X45 <sup>5</sup> / <sub>8</sub>	24.9-35	970-1220	6.87	365
12GCS036-75	12.0	35.6	80.0	75.0-60.0	80	27 <sup>11</sup> / <sub>16</sub> X45 <sup>5</sup> / <sub>8</sub> X45 <sup>5</sup> / <sub>8</sub>	24.9-35	970-1220	6.87	335
12GCS036-100	12.0	35.6	80.0	100.0-80.0	80	27 <sup>11</sup> / <sub>16</sub> X45 <sup>5</sup> / <sub>8</sub> X45 <sup>5</sup> / <sub>8</sub>	24.9-35	970-1220	6.87	345
12GCS042-75	12.0	41.5	80.0	75.0-60.0	80	31 <sup>11</sup> / <sub>16</sub> X45 <sup>5</sup> / <sub>8</sub> X45 <sup>5</sup> / <sub>8</sub>	29.4-40	1270-1380	8.31	365
12GCS042-100	12.0	41.5	80.0	100.0-80.0	80	31 <sup>11</sup> / <sub>16</sub> X45 <sup>5</sup> / <sub>8</sub> X45 <sup>5</sup> / <sub>8</sub>	29.4-40	1270-1380	8.31	375
12GCS048-100	12.0	48.0	80.0	100.0-80.0	80	33 <sup>11</sup> / <sub>16</sub> X54 <sup>11</sup> / <sub>16</sub> X49 <sup>5</sup> / <sub>8</sub>	35.4-50	1360-1610	10.25	435
12GCS048-125	12.0	48.0	80.0	125.0-100.0	80	33 <sup>11</sup> / <sub>16</sub> X54 <sup>11</sup> / <sub>16</sub> X49 <sup>5</sup> / <sub>8</sub>	35.4-50	1360-1610	10.25	445
12GCS060-100	12.0	58.0	80.0	100.0-80.0	80	33 <sup>11</sup> / <sub>16</sub> X54 <sup>11</sup> / <sub>16</sub> X49 <sup>5</sup> / <sub>8</sub>	37.4-50	1360-1610	9.94	445
12GCS060-125	12.0	58.0	80.0	125.0-100.0	80	33 <sup>11</sup> / <sub>16</sub> X54 <sup>11</sup> / <sub>16</sub> X49 <sup>5</sup> / <sub>8</sub>	37.4-50	1360-1610	9.94	455

LP Kit: 42K91

All units 208-230V 1 phase



Model	10/12GCS	024,30,36	042	048,60
E		1 <sup>13</sup> / <sub>16</sub>	1 <sup>13</sup> / <sub>16</sub>	1 <sup>1</sup> / <sub>8</sub>
F		4	4	6 <sup>1</sup> / <sub>8</sub>
G		1 <sup>7</sup> / <sub>8</sub>	1 <sup>7</sup> / <sub>8</sub>	2 <sup>1</sup> / <sub>4</sub>
L		11 <sup>1</sup> / <sub>2</sub>	11 <sup>1</sup> / <sub>2</sub>	12
M		17 <sup>1</sup> / <sub>2</sub>	17 <sup>1</sup> / <sub>2</sub>	21 <sup>1</sup> / <sub>2</sub>
N		5	5	4 <sup>1</sup> / <sub>8</sub>
P		4	4	4 <sup>5</sup> / <sub>8</sub>

## COMMERCIAL SPLIT AIR CONDITIONING LENNOX



### HS29 Outdoor Unit Features:

- Lo Ambient Control
- Direct Drive Blower
- Loss of Charge Switch
- Slide Out Control Box
- High Pressure Switch
- Crank Case Heater
- Copeland Scroll Compressors
- Minimum Run Time Control

### Commercial Warranty

5 Years Compressor  
1 Year All Other Parts

### CB-17 Indoor Unit Features:

- Upflow or Horizontal Models
- Blower Drives Ordered Separately
- Insulated Cabinet
- Multi-circuit Evaporator Coil
- Heavy Duty Drain Pan
- Optional Electric Heat
- Optional Hot Water Coils HW-17

### Commercial Warranty

1 Year All Other Parts

Condenser Model	Cap. MBtuH	Max. SEER	# of Compressors	Dim. HxWxD	Ref. Ctl.	Ref.Conn. Liq.-Gas	MCA-Max. Fuse	R-22 Lbs <sup>2</sup>	Wgt.
HS29-072	76.0	11.05	1	35x48x34	TXV	5/8-1 1/8	27-40	Holding Chg	319
HS29-090	104.0	10.50	1	35 1/4x48x34	TXV	5/8-1 3/8	40-60	Holding Chg	405
HS29-120	131.0	10.40	1	49x70 3/4x34	TXV	5/8-1 3/8	54-90	Holding Chg	557
HS29-180	182.0	10.00	2	49 7/8x65x57 1/8	TXV	5/8-1 3/8	75-100	Holding Chg	998
HS29-240	247.0	10.00	2	49 7/8x65x57 1/8	.TXV	5/8-1 3/8	95-130	Holding Chg	1189

<sup>1</sup>Based on 208/230V All units 3 phase; also available in 460v and 575v

Air Handler Model (upflow)	Clg Cap Tons	Ref.Conn. Liq.-Gas	Dim. HxWxD	Supply Plen.	Available Blower HP	Filter Size/#	Hot Wtr Coil #	Wgt.
CB17-95	7.5	3/8(2)-1 3/8	52 1/2x27x64	16 3/8x18 5/8	1 1/2, 2 <sup>1</sup>	16x25(2);20x25(1)	HW17-95	350
CB17-135	10	3/8(2)-1 3/8	52 1/2x27x64	16 3/8x18 5/8	1 1/2, 2 <sup>1</sup>	16x25(4)	HW17-135	379
CB17-185	15	1/2(2)-1 3/8	47x35x85	16 3/8x19(2)	2, 3 <sup>1</sup>	16x20(6);16x25(2)	HW17-185/275	720
CB17-275	20	3/8(2)-1 3/8	47x44x85	16 3/8x19(2)	2, 3 <sup>1</sup>	20x20(6);20x25(2)	HW17-185/275	815

<sup>1</sup>Available voltages 208/230v single or 3 phase, 460v or 575v 3 phase

Air Handler Model (downflow)	Clg Cap Tons	Ref.Conn. Liq.-Gas	Dim. HxWxD	Supply Plen.	Available Blower HP	Filter Size/#	Hot Wtr Coil #	Wgt.
CBH17-95	7.5	3/8(2)-1 3/8	27x64x52	16 3/8x18 5/8	1 1/2, 2 <sup>1</sup>	16x25(2);20x25(1)	HW17-95	350
CBH17-135	10	3/8(2)-1 3/8	27x64x52	16 3/8x18 5/8	1 1/2, 2 <sup>1</sup>	16x25(4)	HW17-135	379
CBH17-185	15	1/2(2)-1 3/8	35x85x44	16 3/8x19(2)	2, 3 <sup>1</sup>	16x20(6);16x25(2)	HW17-185/275	720
CBH17-275	20	3/8(2)-1 3/8	44x85x44	16 3/8x19(2)	2, 3 <sup>1</sup>	20x20(6);20x25(2)	HW17-185/275	815

<sup>1</sup>Available voltages 208/230v single or 3 phase, 460v or 575v 3 phase



Hot Water Coils Model	For Use With	Dim./ HxWxD	Water Conn	Enter Water Temp	CFM	Water Flow GPM	Capacity. MBtuH <sup>1</sup>
HW17-95	CB(H)95	14x27x52	1 3/8 OD	180°	3000	15	192.0
HW17-135	CB(H)135	14x27x64	1 3/8 OD	180°	3500	20	241.0
HW-185/275	CB(H)185/275	14x35x85	1 5/8 OD	180°	6000	25	410.0

<sup>1</sup>Based on 60°F entering air temperature

Blower Kits Model	For Use With	HP	Voltage/ Phase <sup>1</sup>	MCA/Max Fuse	Wgt.
DKB17-95/135-1.5-1	CB(H)95,135	1 1/2	115,230-1	14-20	39
DKB17-95/135-1.5-19	CB(H)95,135	1 1/2	208-230-3	9-15	39
DKB17-95/275-2-10	All Units	2	208-230-3	10-15	45
DKB17-185/275-3-12	CB(H)185,275	3	208-230-3	14-20	51

<sup>1</sup>Also available in 460V and 575V 3 phase

## 3 - 6 TON L SERIES® PACKAGED GAS ELECTRIC COMMERCIAL



**Features:**

- Insulated Cabinet
- Aluminum Steel Heat Exchanger
- Direct Spark Ignition
- Combustion Air Inducer
- Inshot Burners
- Low Ambient Control
- Direct Drive Blower
- Convertible Airflow
- Intergrated Modular Control w/ Diagnostics
- TXV Standard
- Copeland Scroll Compressor
- Hinged Access Panels
- Air Filters Optional

**Commercial Warranty**

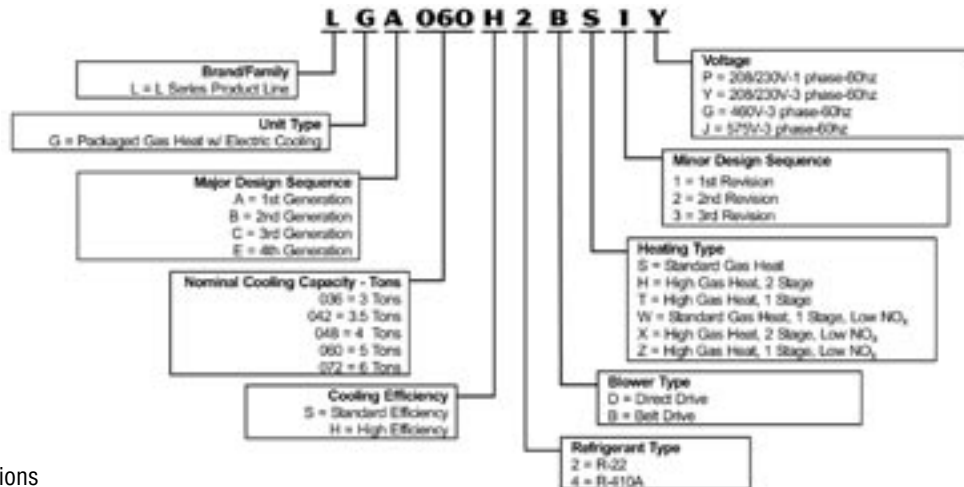
- 10 Years Heat Exchanger
- 5 Years Compressor
- 3 Years Controller
- 1 Year All Other Parts

Model	SEER 1ph/3ph	Cap. Cooling	AFUE	Htg Input MBtuH 2 Stage <sup>1</sup>	Heat Out MBtuH 2 Stage	MCA-Max. Fuse 1 ph <sup>2</sup>	MCA-Max Fuse 3 ph <sup>2</sup>	CFM @.50 Lo - Hi <sup>3</sup>	R-22 Lbs	Wgt.
LGC036S2D	10.75-11.25	37.4	78.0	78.0-na	62.4-na	32-45	26-35	1455-2475	6.50	656
LGC036S2D	10.75-11.00	43.2	78.0	125.0-92.0	100.0-73.6	37-50	29-40	1455-2475	6.25	656
LGC048S2D	11.00-11.00	49.5	78.0	125.0-92.0	100.0-73.6	42-60	29-40	1455-2475	7.63	720
LGC060S2D	10.50-10.50	60.0	78.0	125.0-92.0	100.0-73.6	46-70	33-45	1455-2475	8.25	730
LGC072S2B	na-10.1 <sup>4</sup>	76.0	80.0	125.0-92.0	100.0-73.6	na	39-50	1455-2475	9.31	745
LGC036S2D	13.0	37.6	78.0	78.0-na	62.4-na	34-45	26-35	1455-2475	7.00	656
LGA036H2D	13.0	44.8	78.0	125.0-92.0	100.0-73.6	37-50	29-40	1455-2475	8.50	656
LGA048H2D	13.25	49.0	78.0	125.0-92.0	100.0-73.6	38-50	32-45	1455-2475	9.50	720
LGA060H2D	13.00	63.0	78.0	125.0-92.0	100.0-73.6	50-70	35-50	1455-2475	10.00	730
LGA072H2B	na-10.50 <sup>4</sup>	74.0	80.0	125.0-92.0	100.0-73.6	na	38-50	1455-2475	9.81	755

460V & 575V also available

<sup>1</sup>2 Stage high heat; standard single stage and high 1 stage also available      <sup>2</sup>230V w/o power exhaust      <sup>3</sup>Direct drive 4 speed blower 230V      <sup>4</sup>EER 3 phase only

Accessories Part Number	Description	Part Number	Description
59L21	Network Control: Controls up to 3 <sup>1</sup> units - 7 day programming, alarm storage, remote access	96L92	LP Kit for 78.0 MBtuH Input Units
56L80	Wall Mounted Zone Sensor, w/ warmer/cooler adj.	96L91	LP Kit for 92/125 MBtuH Input Units
94L60	Wall Mounted Zone Sensor not adjustable	96L93	LP Kit For 125.0 MBtuH Units
94L61	Miniature Wall Mounted Zone Sensor	LAREMD03/07	Economizer
56L81	Duct Mounted Zone Sensor	16K97	Differential Enthalpy Economizer Control
17M50	Wall Mounted Humidity Sensor	16K96	Outdoor Enthalpy Economizer Control
50M05	Outdoor Temperature Sensor	LAGED03/07	Downflow Barometric Relief Dampers
77N39	Wall Mounted CO <sub>2</sub> Sensor	LAGEH03/07	Horizontal Barometric Relief Dampers
87N54	Duct Mounted CO <sub>2</sub> Sensor	LAOADM03/07	Outdoor Air Damper- Automatic
13F06	Electro-mechanical 2 Stage Heat/Cool Thermostat	LAOAD03/07	Outdoor Air Damper- Manual
13F17	Manual Subbase for 13F06	LAOAH03/07	Outdoor Air Hood (required for dampers above)
		LARMF03/07-14	14" Roof Curb



See page 18 for dimensions



**7.5 - 30 TON L SERIES® PACKAGED GAS ELECTRIC COMMERCIAL**



**Features:**

- Insulated Cabinet
- Aluminized Steel Heat Exchanger
- Direct Spark Ignition
- Dual Stage Gas Valve
- Combustion Air Inducer
- Inshot Burners
- Low Ambient Control
- High & Low Pressure Switch
- Belt Drive Blower
- Convertible Airflow
- Intergrated Modular Control w/ Diagnostics
- TXV Standard
- Dual Scroll Compressors
- Hinged Access Panels
- Standard 2" Air Filters

**Commercial Warranty**

- 10 Years Heat Exchanger
- 5 Years Compressor
- 3 Years Controller
- 1 Year All Other Parts

Model	EER	Cap. Cooling	CSA Eff.%	Htg Input MBtuH 2 Stg <sup>1</sup>	Heat Out MBtuH 2 Stg	MCA-Max Fuse 3 ph <sup>2</sup>	CFM @.50 Lo - Hi <sup>3</sup>	Blower Mtr HP	Filter Size 2"	R-22 Lbs	Wgt.
LGC090S2B	10.3	96.0	80.0	130.0-84.5	104.0-67.5	45-50	1455-2475 <sup>4</sup>	3 <sup>4</sup>	15x15 (4)	12.00 <sup>5</sup>	1300
LGC102S2B	10.3	106.0	80.0	130.0-84.5	104.0-67.5	49-60	1455-2475 <sup>4</sup>	3 <sup>4</sup>	15x15 (4)	12.50 <sup>5</sup>	1300
LGC120S2B	10.3	126.0	80.0	130.0-84.5	104.0-67.5	51-60	1455-2475 <sup>4</sup>	3 <sup>4</sup>	15x15 (4)	20.00 <sup>5</sup>	1355
LGC150S2B	9.5	145.0	80.0	130.0-84.5	104.0-67.5	59-70	1455-2475 <sup>4</sup>	3 <sup>4</sup>	15x15 (4)	28.00 <sup>5</sup>	1390
LGA090S2B	10.3	96.0	80.0	130.0-84.5	104.0-67.5	44-50	1455-2475 <sup>4</sup>	3 <sup>4</sup>	15x15 (4)	20.00 <sup>5</sup>	1300
LGA102S2B	10.3	106.0	80.0	130.0-84.5	104.0-67.5	49-60	1455-2475 <sup>4</sup>	3 <sup>4</sup>	15x15 (4)	21.00 <sup>5</sup>	1300
LGA120S2B	10.3	126.0	80.0	130.0-84.5	104.0-67.5	55-70	1455-2475 <sup>4</sup>	3 <sup>4</sup>	15x15 (4)	23.00 <sup>5</sup>	1355

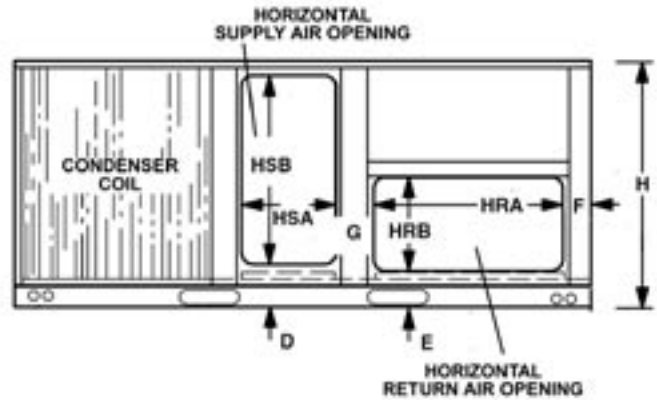
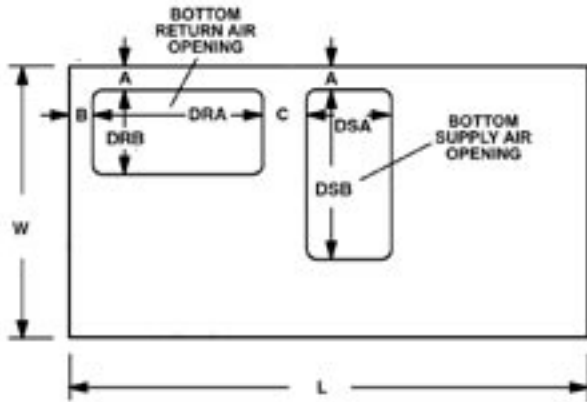
460V & 575V also available      <sup>1</sup>2 Stage standard heat; 2 stage high heat also available input: 235-152.5MBtuH      <sup>2</sup>230V w/o power exhaust  
<sup>3</sup>Belt drive 4 speed blower 230      <sup>4</sup>2 and 5 HP Motors also available      <sup>5</sup>2 Scroll compressor circuits

Model	EER	Cap. Cooling	CSA Eff.%	Htg Input MBtuH 2 Stg	Heat Out MBtuH 2 Stg	MCA-Max Fuse 3 ph <sup>2</sup>	Blower Mtr HP	Filter Size 2"	R-22 Lbs	Wgt.
LGC180S2B	10.0	186.0	80.0	260.0-169.0 <sup>1</sup>	208.0-135.0	77-905 <sup>4</sup>	24x24 (6)	27.0 <sup>5</sup>	2355	
LGC210S2B	10.0	212.0	80.0	260.0-169.0 <sup>1</sup>	208.0-135.0	89-100	5 <sup>4</sup>	24x24 (6)	28.0 <sup>6</sup>	2340
LGC240S2B	9.5	126.0	80.0	260.0-169.0 <sup>1</sup>	208.0-135.0	100-125	5 <sup>4</sup>	24x24 (6)	44.0 <sup>6</sup>	2535
LGC300S2B	9.5	145.0	80.0	260.0-169.0 <sup>1</sup>	208.0-135.0	116-125	5 <sup>4</sup>	24x24 (6)	45.0 <sup>6</sup>	2535
LGC156H2B	12.2	160.0	80.0	260.0-169.0	208.0-135.0	68-803 <sup>7</sup>	24x24 (6)	33.0 <sup>5</sup>	2355	
LGC180H2B	11.8	188.0	80.0	260.0-169.0 <sup>1</sup>	208.0-135.0	83-905 <sup>4</sup>	24x24 (6)	34.5 <sup>5</sup>	2355	
LGC210H2B	11.5	218.0	80.0	260.0-169.0 <sup>1</sup>	208.0-135.0	89-100	5 <sup>4</sup>	24x24 (6)	44.0 <sup>6</sup>	2340
LGA240H2B	11.0	252.0	80.0	260.0-169.0 <sup>1</sup>	208.0-135.0	108-125	7 1/2 <sup>8</sup>	24x24 (6)	45.0 <sup>6</sup>	2535
LGA248H2B	11.7	257.0	80.0	260.0-169.0 <sup>1</sup>	208.0-135.0	113-125	7 1/2 <sup>8</sup>	20x20 (12)	50.0 <sup>6</sup>	2535
LGC300H2B	11.0	311.0	80.0	260.0-169.0 <sup>1</sup>	208.0-135.0	118-125	7 1/2 <sup>8</sup>	20x20 (12)	44.0 <sup>6</sup>	2535
LGA360H2B	10.2	355.0	80.0	260.0-169.0 <sup>1</sup>	208.0-135.0	137-150	7 1/2 <sup>8</sup>	20x20 (12)	51.0 <sup>6</sup>	2535

460V & 575V also available      <sup>1</sup>2 Stage standard heat; 2 stage high heat also available input: 470.0-305.0 MBtuH      <sup>2</sup>230V w/o power exhaust  
<sup>3</sup>Belt drive 4 speed blower 230V      <sup>4</sup>3 and 7.5 HP Motors also available      <sup>5</sup>3 Scroll compressor circuits      <sup>6</sup>4 Scroll compressor circuits  
<sup>7</sup>2 and 5 HP motors also available      <sup>8</sup>5 and 10 HP motors also available

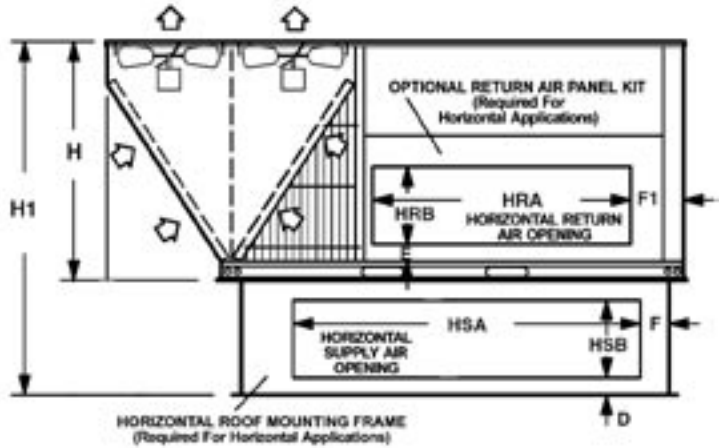
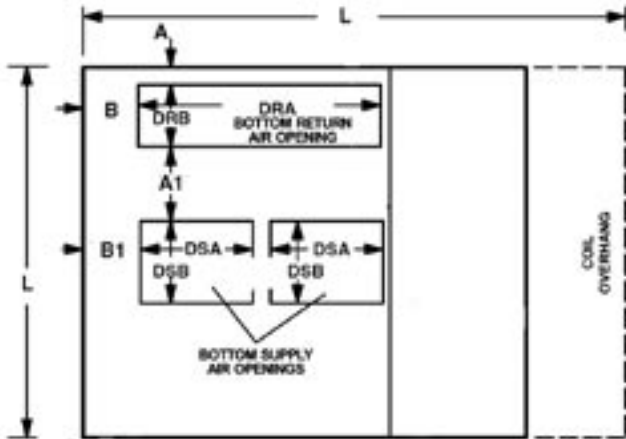
Accessories Part Number	Description	Part Number	Description
See previous page	for sensors and t-stats	LAGEH18/24	Horizontal Barometric Relief 13, 15, 17.5, 20, 25 Ton
23M91	LP Kit for Standard Heat Units	LAGEH30/36	Horizontal Barometric Relief 21, 25, 30 Ton
98L35	LP Kit for High Heat Units 7 1/2 -15 Ton (2 required)	LAOADM10/15	Outdoor Air Damper- Automatic 7 1/2 -15 Ton
96L93	LP Kit For 125.0 MBtuH Units 7 1/2 -15 Ton ( required)	LAOADM18/24	Outdoor Air Damper- Auto 13, 15, 17.5, 20, 25 Ton
LAREMD10/15	Economizer 7 1/2 -15 Ton	LAOADM30/36	Outdoor Air Damper- Auto 21, 25, 30 Ton
LAREMD18/24	Economizer 13, 15, 17.5, 20, 25 Ton	LAOAD10/15	Outdoor Air Damper- Manual 7 1/2 -15 Ton
LAREMD30/36	Economizer 21, 25, 30 Ton	LAOAD18/24	Outdoor Air Damper- Man. 13, 15, 17.5, 20, 25 Ton
16K97	Differential Enthalpy Economizer Control	LAOAD30/36	Outdoor Air Damper- Manual 21, 25, 30 Ton
16K96	Outdoor Enthalpy Economizer Control	LAOAH10/15	Outdoor Air Hood (required for dampers)
LAGED10/15	Downflow Barometric Relief Dampers 7 1/2 -15 Ton	LAOAH18/24	Outdoor Air Hood (required for dampers)
LAGED18/24	Downflow Barometric Relief 13, 15, 17.5, 20, 25 Ton	LAOAH30/36	Outdoor Air Hood (required for dampers)
LAGED30/36	Downflow Barometric Relief 21, 25, 30 Ton	LARMF10/15-14	14" Roof Curb 7 1/2 -15 Ton
LAGEH03/15	Horizontal Barometric Relief Dampers 7 1/2 -15 Ton	LARMF18/36-14	14" Roof Curb 13, 15, 17.5 - 30 Ton

## L SERIES® DIMENSIONS



LCA/C	H	H1	W	L	DRA	DRB	DSA	DSB	HRA	HRB	HSA	HSB	A	A1	B	B1	C	D	E	F	F1	G
036-072	36 <sup>1</sup> / <sub>2</sub>		46 <sup>1</sup> / <sub>2</sub>	87 <sup>1</sup> / <sub>2</sub>	28	14	14	28	28	14	12	28	4 <sup>1</sup> / <sub>2</sub>	4 <sup>1</sup> / <sub>2</sub>	6 <sup>1</sup> / <sub>8</sub>	5 <sup>1</sup> / <sub>4</sub>	5 <sup>5</sup> / <sub>8</sub>	4 <sup>1</sup> / <sub>2</sub>				5 <sup>7</sup> / <sub>8</sub>
090-150	50		58	99 <sup>1</sup> / <sub>4</sub>	28	20	28	20	28	20	28	15	4	5 <sup>1</sup> / <sub>2</sub>	6 <sup>1</sup> / <sub>4</sub>	5				5 <sup>1</sup> / <sub>2</sub>		6 <sup>1</sup> / <sub>4</sub>
156-240,300S <sup>1</sup>	54 <sup>1</sup> / <sub>4</sub>	87 <sup>1</sup> / <sub>4</sub>	90 <sup>7</sup> / <sub>8</sub>	132	60 <sup>1</sup> / <sub>2</sub>	15	28	20	60 <sup>1</sup> / <sub>2</sub>	15	75	14	4 <sup>1</sup> / <sub>4</sub>	18	12 <sup>3</sup> / <sub>8</sub>	12 <sup>3</sup> / <sub>8</sub>	4 <sup>1</sup> / <sub>2</sub>	17 <sup>1</sup> / <sub>2</sub>	2	8 <sup>1</sup> / <sub>4</sub>	12 <sup>3</sup> / <sub>8</sub>	
248,300,360 <sup>2</sup>	65	102	91 <sup>1</sup> / <sub>8</sub>	145	78 <sup>1</sup> / <sub>2</sub>	15	28	20	78 <sup>1</sup> / <sub>2</sub>	15	75	18	4 <sup>1</sup> / <sub>4</sub>	18	5 <sup>3</sup> / <sub>4</sub>	17 <sup>1</sup> / <sub>2</sub>	4 <sup>1</sup> / <sub>2</sub>	17 <sup>1</sup> / <sub>2</sub>	2	15 <sup>1</sup> / <sub>4</sub>	5 <sup>1</sup> / <sub>4</sub>	

<sup>1</sup>Assumes LARMFH18/24-37 for roof mount, slab mount will vary<sup>2</sup>Assumes LARMFH30/36-41 for roof mount, slab mount will vary



Note: Images are not to scale

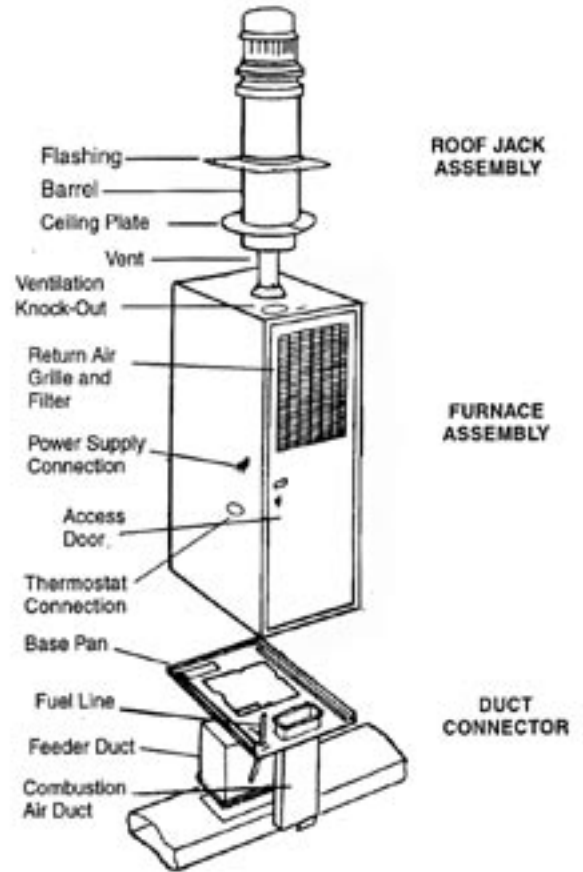
## OIL & GAS FURNACES MILLER

HVAC  
EQUIPMENT



**Features:**

- Built for manufactured homes
- Multi-speed blower and multi-fired burner for efficiency and long life
- Beckett oil burners standard
- Appliance finish protects against rust and other corrosion
- Titanium treated aluminized steel process technology provides strength and durability to the heat exchanger
- Versatile applications
- Extendable 1 Year parts and labor warranty.



Model	Description	Std Input MBtuH	Output Hi-Lo	AFUE %	Input Range	HxWxD	Motor. HP	Orifice	CFM Lo .3 SP	CFM Hi .3 SP	Wgt.
CMF80PG	Convertible Gas	75.0	56.0	75+	65.0-90.0	57x18x24 <sup>1</sup> / <sub>4</sub>	1/3	20(NG)	650	900	180
CMF80PO	Convertible Oil	75.0	60.0	80+	65.0-90.0	57x18x24 <sup>1</sup> / <sub>4</sub>	1/3	0.60 80°B	650	900	185
CMF100PG	Gas	90.0	68.0	75+	na	57x18x24 <sup>1</sup> / <sub>4</sub>	1/3	16(NG)	650	900	185
CMF100PO	Oil	90.0	72.0	80+	na	57x18x24 <sup>1</sup> / <sub>4</sub>	1/3	0.65 80°B	650	900	185

Accessories	
Part #	Description
901696	CB-200A Cottage Base
903452	MA-200 Base Package w/ 3" feeder duct
903453	MA-200 Base Package w/ 8" feeder duct
903454	MA-200 Base Package w/ 13" feeder duct
903450	MA-100 Universal Base Package w/ 8" feeder duct
903451	MA-100 Universal Base Package w/ 13" feeder duct
903099	CMF80PG 80MBtuH to 65MBtuH Conv. Kit
903100	CMF80PO 80MBtuH to 65MBtuH Conv. Kit
903101	CMF80PG 80MBtuH to 100MBtuH Conv. Kit
903102	CMF80PO 80MBtuH to 100MBtuH Conv. Kit

Accessories	
Part #	Description
10406000	SRJ1 Roof Jack Ass'y for ceiling cavity less than 12"
10406003	SRJ2 Roof Jack Ass'y for ceiling cavity 13" - 24"
10406015	SRJ3 Roof Jack Ass'y for ceiling cavity 25" - 36"
10406018	SRJ4 Roof Jack Ass'y for ceiling cavity 37" - 38"
10406024	SRJ5 Roof Jack Ass'y for ceiling cavity 49" - 59"
103947002	28" Vent Pipe
103947004	34" Vent Pipe
10044700	RA-S2.5 Roof Jack Ass'y
10044800	RA-S3.0 Roof Jack Ass'y
10156100	RA-S4.0 Roof Jack Ass'y